

SMOG-HOG® PORTA-CLEAN®



Capture Pollutants at the Source.

The SMOG-HOG Porta-Clean® is a portable unit designed specifically to eliminate welding smoke and other metal oxide fumes in areas where:

- ◆ large pick-up hoods are impractical
- ◆ smoke producing machinery is used intermittently
- ◆ an employee goes from one work station to another

Using electrostatic precipitator (ESP) technology, the Porta-Clean electrically charges the microscopic contaminants, then captures them much like a magnet in the ESP collection cell. Easily cleaned and reusable aluminum collection components eliminate filter replacement and disposal. And, because each collection cell can hold more than one pound of welding oxide before cleaning is required, maintenance time is minimized.

The source capture swing arm and Para-vent® hood are positioned directly over the smoke source to remove dangerous contaminants that can cause respiratory problems and create safety and maintenance concerns – a situation that can cost lost work time, workers compensation costs and OSHA compliance violations.

Large, industrial wheels and convenient handles make the Porta-Clean easy to guide from one work station to another while locking casters keep the unit in place once it is positioned.

Breathe Easier with the Porta-Clean.

The Porta-Clean is an adaptable, efficient and easily-maintained source capture system. The Porta-Clean also:

- ◆ helps meet OSHA air quality standards
- ◆ reduces make-up air requirements by cleaning and recirculating the air
- ◆ exhausts clean air through a vertical outlet, directing exhaust toward the ceiling instead of the user
- ◆ reduces maintenance costs by eliminating smoke and dust before particles can settle on equipment and work surfaces

Pull Harmful Pollutants Out of the Air.



- ◆ Exclusive parabolic hood design makes the Porta-Clean even more effective in capturing smoke and fumes. The Para-vent hood collects smoke at a greater distance than any other hood design.



- ◆ Standard hood design without parabolic shape and inlet flange allows smoke bypass.

Specifications.

The Porta-Clean is a self-contained, two-stage, Penney-type electrostatic precipitator designed for heavy-duty applications.

- Cabinet** – Constructed of 16-gauge welded steel with internal structural rails top and bottom. A hinged door with an electrical interlock safety device provides access to the collection components. An access panel provides entry to the motor/blower compartment to permit easy adjustments. The cabinet is prepared in a phosphatized wash cycle. The finish coat is electrostatically-applied powder polyurethane paint baked to ensure a durable hard finish.
- Prefilter** – Heavy-duty, reusable filter constructed of layered expanded aluminum mesh contained in an aluminum frame.
- Ionizer** – Constructed of an extruded aluminum airfoil frame which shields the ceramic insulators from the airstream. Each tungsten ionizing wire is spring-mounted from die-formed support bars. Contact with the high voltage source is made through contact springs requiring no mechanical connections.
- Collection Cell** – Contains 20,160 square inches of surface area and is constructed of specially-formed aluminum to maximize collection efficiency. Rods are inserted for rigidity and control of spacing between high voltage and ground plates. The insulators are shielded from the airstream by inverted end plates. Contact with high voltage source is made through contact springs requiring no mechanical connections. The collection cell weighs 29 pounds and is equipped with a riveted steel handle, making it easily removable for periodic inspection and cleaning.
- Power Pack** – Provides 11,000 volts DC to the ionizer and 6,000 volts DC (nominal) to the collection cell. Self-regulating power pack for input voltage variations from -30% to +13% of nominal rating.
- Motor/Blower** – Produces air movement with a belt-driven, centrifugal-type blower with sealed ball bearings and cast iron pulleys. The blower is driven by a heavy-duty, totally-enclosed 1/2 HP motor. Motor/blower has adjustable base to facilitate servicing. A vari-pitch pulley is used on the motor to facilitate RPM variation.
- Power Cord** – 10 foot, 16-gauge 3SJ with molded plug.
- Dust Drawer** – Removable drawer to collect fallen dry particles.
- Swing Arm Assembly** – Para-vent source capture hood with 8 inch diameter, 10 foot long, easily-adjustable source capture swing arm as standard. Optional swing arms available.

Dimensions

A-arm length	120 in.
B-unit height	44 in.
C-unit length	42 in.
D-unit width	28 in.

Weight

400 lbs.

Electrical

115 volt/single-phase/60 hz (ETL Listed)
7.4 amps

Optional Motor

1 HP

Optional Voltage

208-575/3/60

Airflow

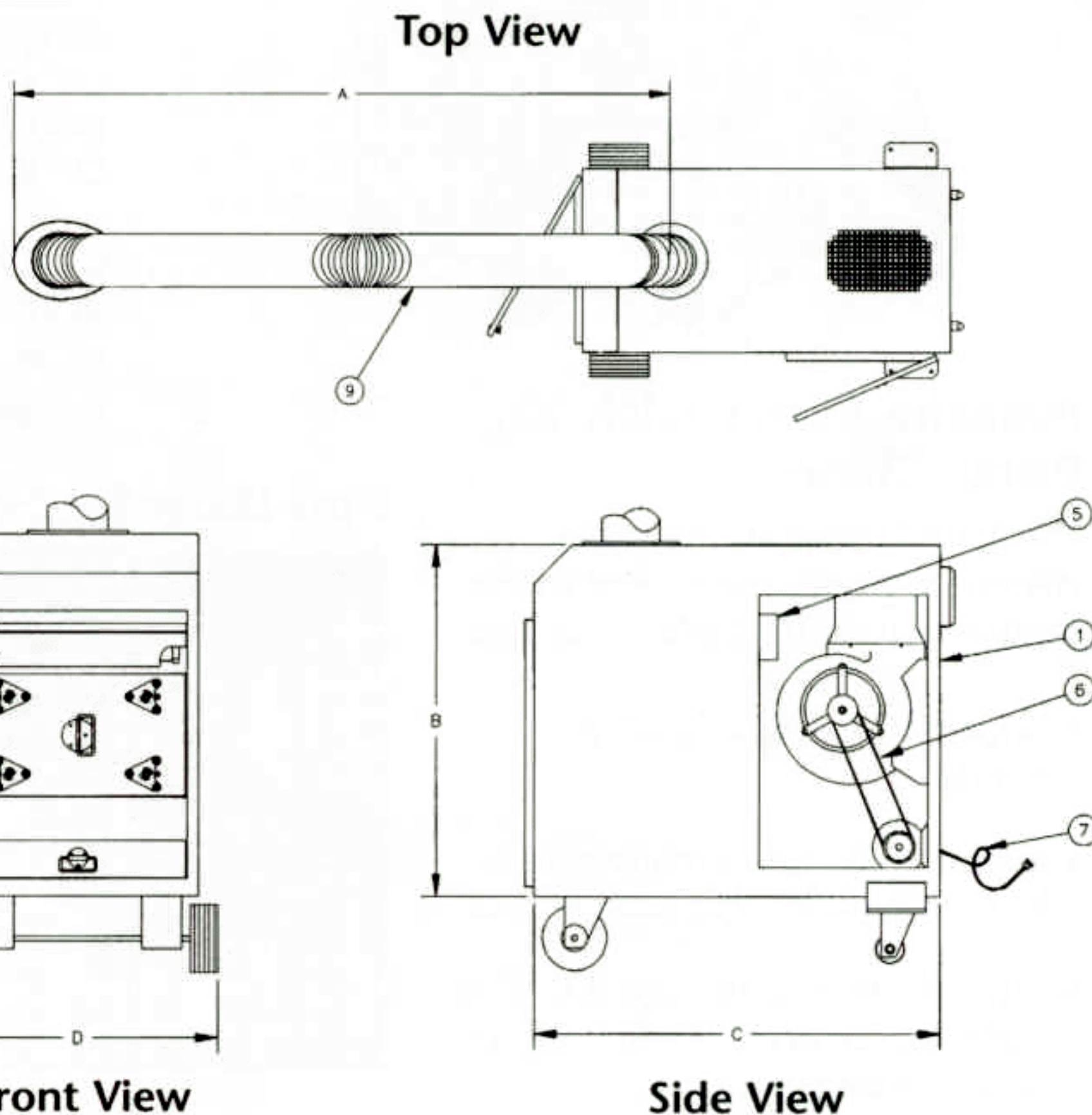
1,000 CFM (nominal)

Swing Arm Options

8" diameter, 7' length arm

8" diameter, 14' length arm

8" inlet collar in place of swing arm



Air Cleaning Specialists, Inc.
826 Horan Drive
Fenton, MO 63026

P: (866) 651-9762

info@aircleaningspecialists.com

© 1997 United Air Specialists, Inc. An ISO 9001 Certified Company

United Air Specialists, Inc. reserves the right to continuously innovate, improve and change design and specifications without notice.